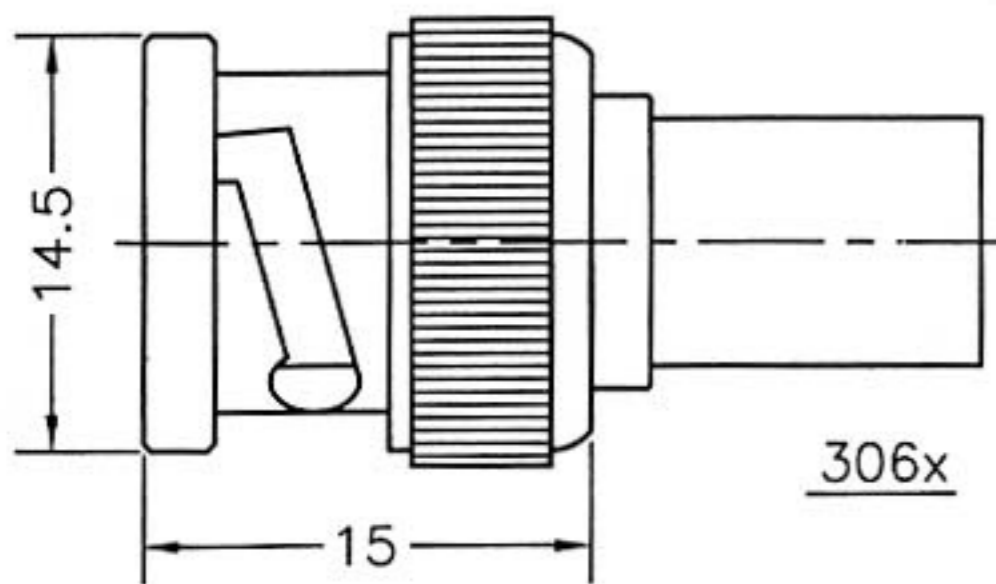
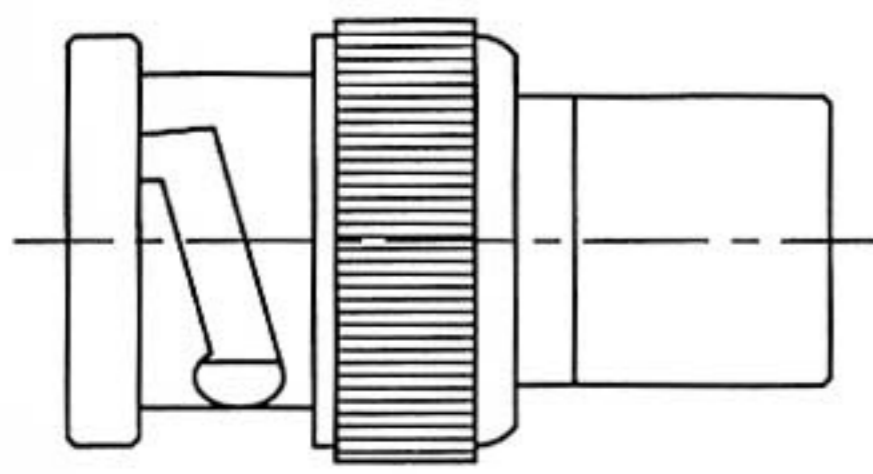


REVISIONS				
ZONE	REV	DESCRIPTION	DATE	APPROVED



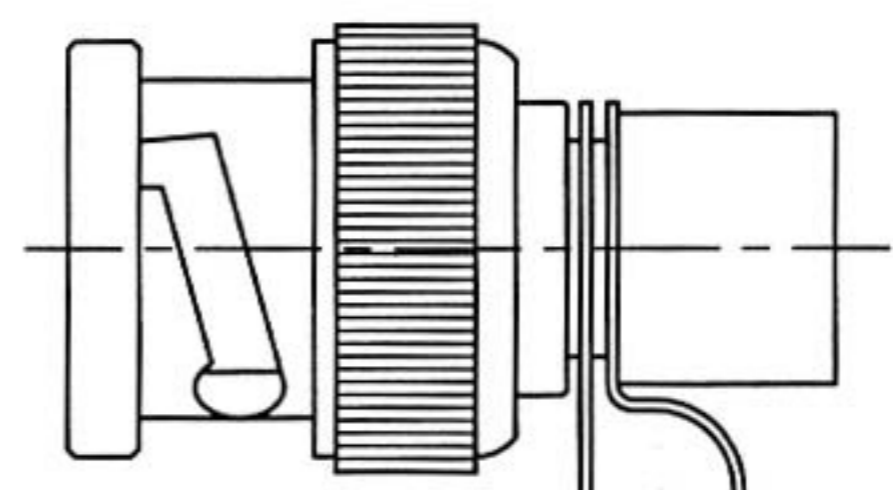
306x



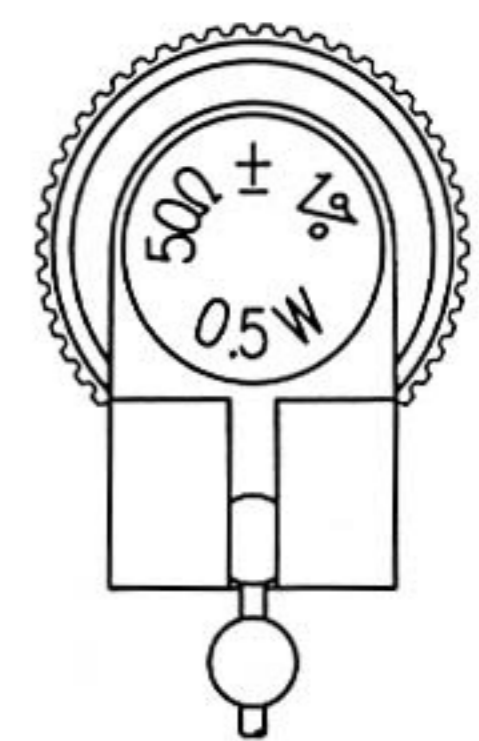
306x-1



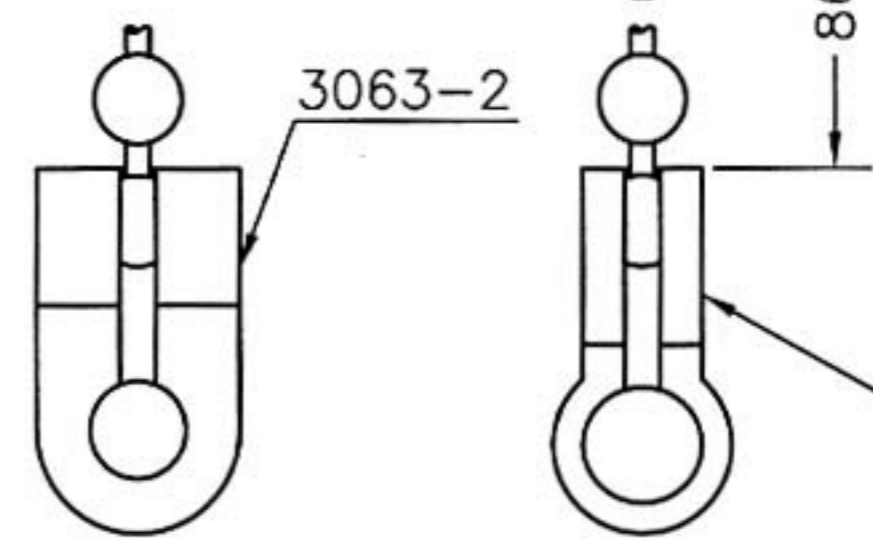
End View



306x-2



End View



3063-2

3061-2, 3062-2

PART#	Resistor Specification	Notes
BNC-3061-2	.5 Watt, 50 ohm, 1%	
BNC-3062-1	.5 Watt, 75 ohm, 1%	
BNC-3062-2	.5 Watt, 75 ohm, 1%	
BNC-3063-1	.5 Watt, 93 ohm, 1%	
BNC-3063-2	.5 Watt, 93 ohm, 1%	

BNC Male Terminator with Grounding Chain- 75 Ohm

BY	DATE		
DRAWN			
CHK'D		PART NO	
APPRV		377	
MATERIAL	SEE NOTES	UNITS	mm
FINISH	SEE NOTES	SCALE	NONE
		SHEET 1 OF 2	

REVISIONS				
ZONE	REV	DESCRIPTION	DATE	APPROVED


ELECTRICAL

Impedance	50 ohm	75 ohm
Frequency Range	0-4 GHz	0-1 GHz
Working Voltage	500 Volts rms.	500 Volts rms.
Dielectric Withstanding Voltage	1500 Volts rms.	1500 Volts rms.
VSWR	1.3 max. 0-4 GHz	1.05+0.1f(GHz) DC to 1 GHz
Contact Resistance	Center contact 1.5 milliohm Outer contact 1.0 milliohm	Center contact 1.5 milliohm Outer contact 1.0 milliohm
Insulation Resistance	5000 megohms (min)	5000 megohms (min)

MATERIAL

Parts Name		Material	Finish
Center	Male	Brass	Gold
Contact	Female	Phosphor Bronze (nominal) or Beryllium Copper	Gold
Metal Parts		Brass	Nickel*
Insulators		Teflon, Delrin, PBT polyester	None
Clamp Gaskets		Silicon rubber, Synthetic rubber	None
Crimp ferrule		Annealed copper	Nickel*

BNC Male Terminator with Grounding Chain- 75 Ohm

BY	DATE	 <small>cables & connectors since 1995</small>
DRAWN		
CHK'D		PART NO 377
APPRV		
MATERIAL	SEE NOTES	UNITS mm
FINISH	SEE NOTES	
		SCALE NONE
		SHEET 2 OF 2